

# HOOVER®

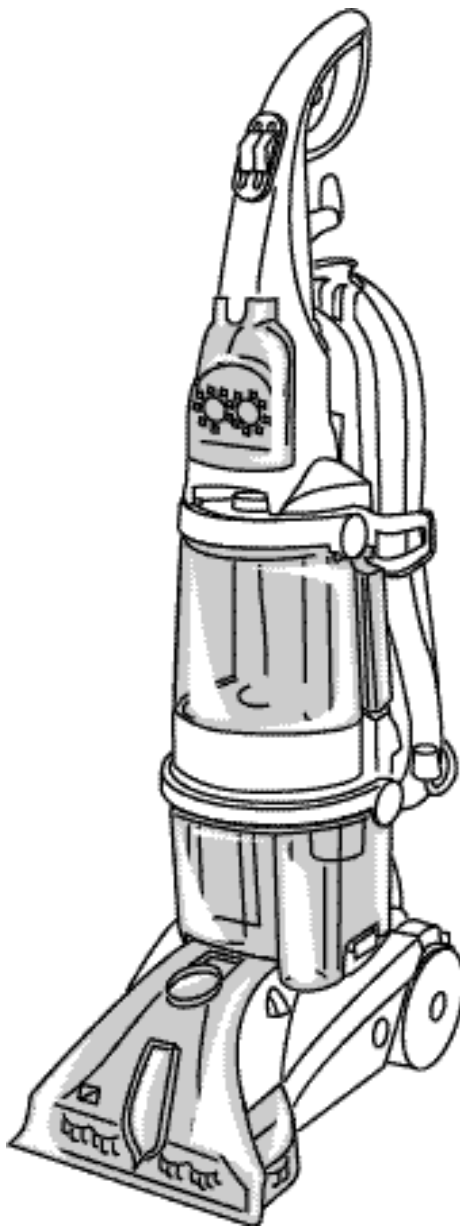
## STEAM VAC™ V2™



### Deep Cleaner with Auto Rinse

The Easy to Use Deep Cleaner

ENGLISH → pp. 1-17  
ESPAÑOL → pág. 18-27  
FRANÇAIS → p. 28-37



SteamVac™ V2™ Deep Cleaner cleans carpet fibers by applying hot tap water and cleaning solution.

# Important Safeguards!

When using an electrical appliance, always follow basic precautions, including the following:

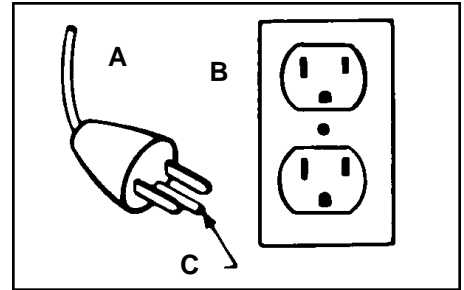
READ ALL INSTRUCTIONS BEFORE USING APPLIANCE.

## WARNING:

To reduce the risk of fire, electric shock, or injury:

- Use indoors only.
- Use only on surfaces moistened by the cleaning process. Do not immerse product.
- Connect to a properly grounded outlet only. See "Grounding Instructions".
- Do not clean over floor electrical outlets.
- Do not use without tanks in place.
- Use extra care when cleaning on stairs. Do not place deep cleaner on stairs.
- Use deep cleaner only for its intended use as described in the instructions.
- Use only attachments recommended by The Hoover Company; others may cause hazards.
- The use of an extension cord is not recommended. If an extension cord is absolutely necessary, use at least a 16 gauge 3-wire cord which has a 3-prong grounding type plug and a 3-pole receptacle that accepts the machine plug.
- Unplug deep cleaner when not in use. Turn off all controls before unplugging.
- Unplug before connecting the powered hand tool.
- Always disconnect cord from electrical outlet before servicing the deep cleaner.
- Do not unplug by pulling on cord. To unplug, grasp the plug, not the cord.
- Never handle plug or appliance with wet hands.
- Do not pull or carry by cord, use cord as a handle, close door on cord or pull cord around sharp edges or corners. Do not run appliance over cord. Keep cord away from heated surfaces.
- Do not use with damaged cord or plug. If appliance is not working as it should, has been dropped, damaged, left outdoors, or dropped into water, take it to a Hoover Factory Service Center or Authorized Hoover Warranty Service Dealer.
- Close supervision is necessary when any appliance is used by or near children. Do not allow deep cleaner to be used as a toy or to run unattended at any time.
- Do not point tools toward people or pets.
- Use only commercially available Hoover SteamVac™ cleaners intended for machine application. Do not use any type of wax with deep cleaner.
- Keep detergents and other cleaners out of children's reach.
- Do not use to pick up flammable or combustible liquids such as gasoline or use in areas where they may be present.
- Do not pick up chlorine bleach, drain cleaner, gasoline or any other toxic material with this appliance.
- Do not pick up anything that is burning or smoking, such as cigarettes, matches, or hot ashes.
- Avoid picking up hard, sharp objects with the deep cleaner. They may damage the machine.
- Keep hair, loose clothing, fingers, feet and all parts of body away from openings and moving parts.
- Do not put any object into openings. Do not use with any opening blocked; keep free of dust, lint, hair, and anything that may reduce air flow.
- To help prevent matting and resoiling, avoid contact with carpets until they are dry. Keep children and pets away from carpets until they are completely dry.
- Store in a dry place. Do not expose machine to freezing temperatures.

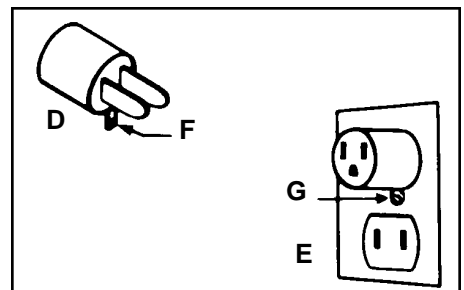
## Grounding Instructions



This appliance must be grounded. If it should malfunction or breakdown, grounding provides a path of least resistance for electrical current to reduce the risk of electric shock. This appliance is equipped with a cord having an equipment-grounding conductor (C) and grounding plug (A). The plug must be plugged into an appropriate outlet (B) that is properly installed and grounded in accordance with all local codes and ordinances.

## DANGER-

Improper connection of the equipment-grounding conductor can result in the risk of electric shock. Check with a qualified electrician or service person if you are in doubt as to whether the outlet is properly grounded. Do not modify the plug provided with the appliance - if it will not fit the outlet, have a proper outlet installed by a qualified electrician. This appliance is for use on a nominal 120 volt circuit and has a grounding plug that looks like the plug illustrated in sketch (A).



A temporary adapter (D) may be used to connect this plug to a 2-pole receptacle (E) if a properly grounded outlet is not available. The temporary adapter should be used only until a properly grounded outlet (B) can be installed by a qualified electrician. The green colored rigid ear, lug, or the like (F) extending from the adapter must be connected to a permanent ground (G) such as a properly grounded outlet box cover. Whenever the adapter is used, it must be held in place by a metal screw. **NOTE:** In Canada, the use of a temporary adapter is not permitted by the Canadian Electrical Code.

## Save these instructions!

Thank you for choosing a HOOVER product.

**If you need any assistance:**

Visit our website at [www.hoover.com](http://www.hoover.com). Click on the "Service" button to find the service outlet nearest you OR  
 Call **1-800-944-9200** for an automated referral of service outlet locations (U.S. only) OR  
 Call 1-330-499-9499 to speak with a representative in our Consumer Response Center.

PLEASE DO NOT RETURN THIS PRODUCT TO THE STORE.

**Fill in and Save**

Please enter the **COMPLETE** model and serial numbers in the spaces provided and save.

The model and serial numbers are located on the data label on the back of the handle.

Model No. \_\_\_\_\_

Serial No. \_\_\_\_\_

Hint: Attach your sales receipt to this owner's manual.

Verification of date of purchase may be required for warranty service of your Hoover product.

**Contents**

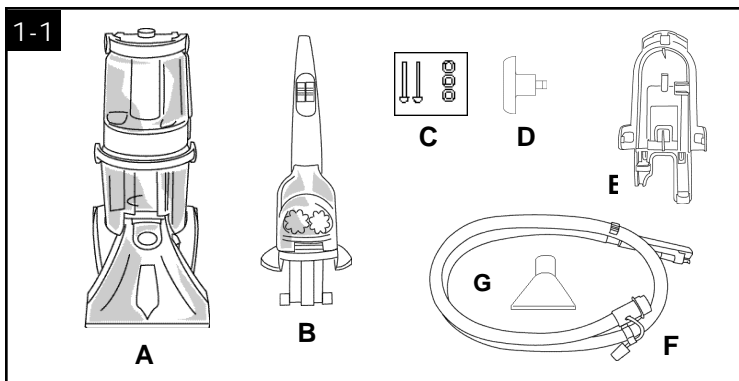
Important safeguards ..... 2  
 Parts needed for assembly..... 3  
 Assembling deep cleaner ..... 3-5  
 Deep cleaner description ..... 6  
 General operation ..... 6-8  
     Filling the clean water tank ... 7-8  
     Emptying the recovery tank ... 8  
     Brush speed selector ..... 7  
     Automatic shut-off..... 7  
 How to use  
     Before you begin ..... 9  
     After cleaning..... 9-10  
     Cleaning carpet ..... 10  
     Cleaning bare floors ..... 11  
     Using the tools ..... 11-13  
         Cleaning carpeted stairs..... 13  
         Cleaning upholstery ..... 14  
 If you have a problem ..... 15  
 Lubrication ..... 15  
 Service ..... 15  
 Storage ..... 15  
 Warranty ..... 16



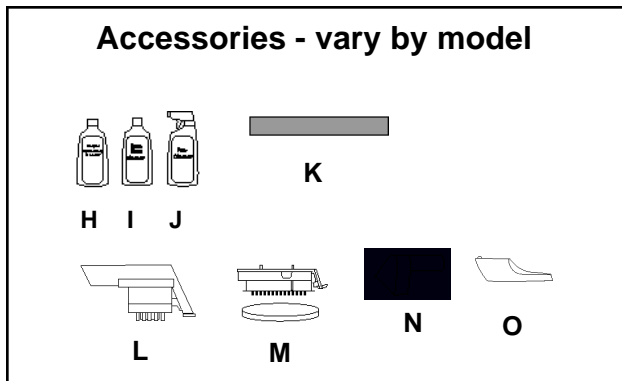
© 2002 The Hoover Company  
[www.hoover.com](http://www.hoover.com)

**1. Assembly**

Parts needed for assembly



- A. Deep cleaner
- B. Upper handle
- C. Handle bolts and nuts (in bag with hose)
- D. Hose/cord hook
- E. Hose/tool caddy
- F. Hose
- G. Utility tool

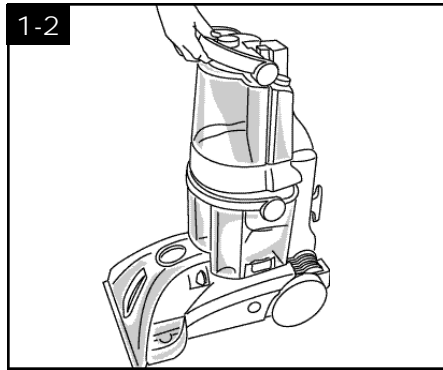
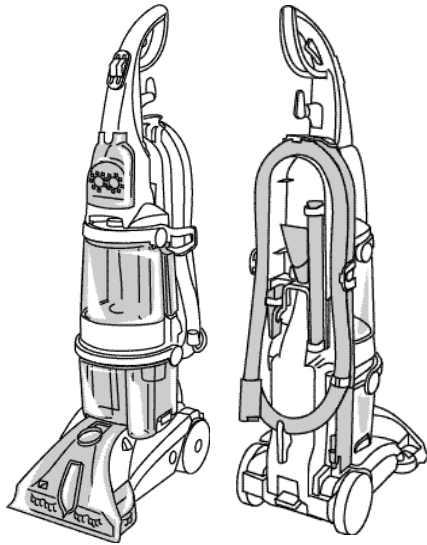


**Not all accessories are included with every model.**

- H. Carpet/Upholstery Detergent
- I. Bare Floor Cleaner
- J. Pre-cleaner
- K. Bare floor tool
- L. SpinScrub™ hand tool
- M. Scrub module
- N. Stair/upholstery nozzle
- O. Crevice tool

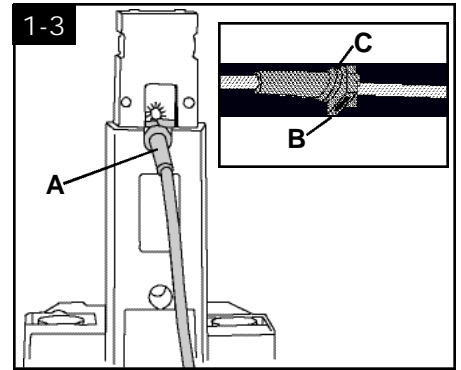
Accessories not included with your model may be purchased separately using the order form located at the center of this manual.

The assembled cleaner will look like this drawing. Model with SpinScrub™ hand tool is shown.

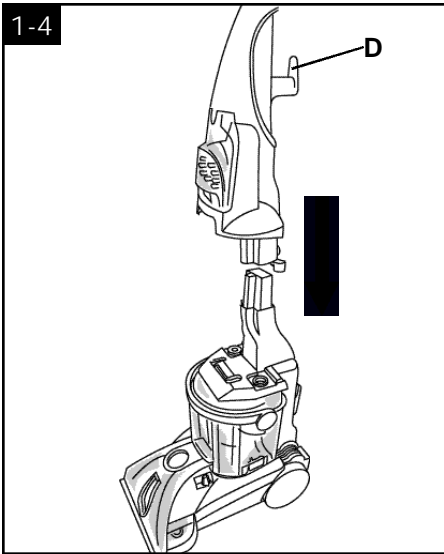


### Attach upper handle

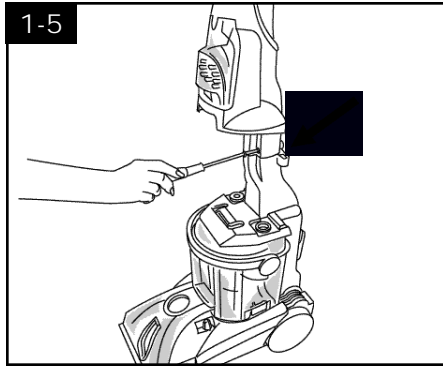
Remove clean water tank (upper tank) from deep cleaner.



**NOTE:** If the cord protector (A) on back of handle should become dislodged during unpacking, **make sure it is repositioned properly before continuing with assembly** of your deep cleaner. With the arrow (B) on the cord protector pointing down, press groove (C) in the cord protector into slot in the lower handle.

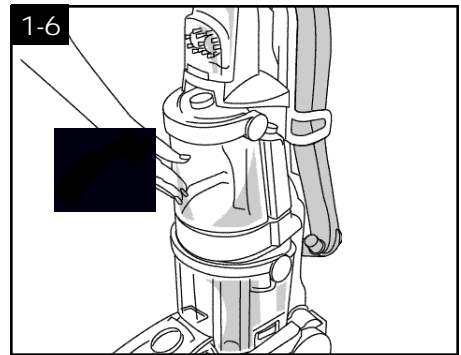


With cord hook (D) to back of deep cleaner, push upper handle down onto lower handle.

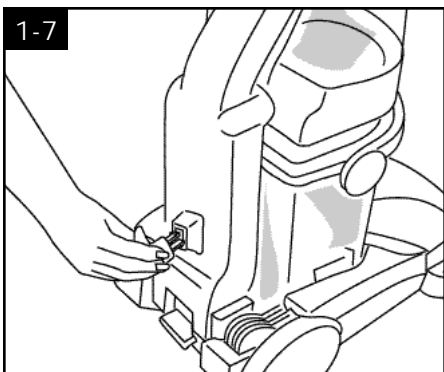


Push **bolts** into holes on **front of handle**. If **bolts will not go through hole easily, handle is not pushed completely down**. Place **nuts** in recessed areas on **back of the handle**. Hold each nut in place while tightening each bolt securely (from the front of the handle) with a Phillips screw driver.

Only two nuts are needed on this model. The extra nut is not required but has been provided for your convenience.



Replace clean water tank (upper tank) by positioning bottom first. Press tank into place.

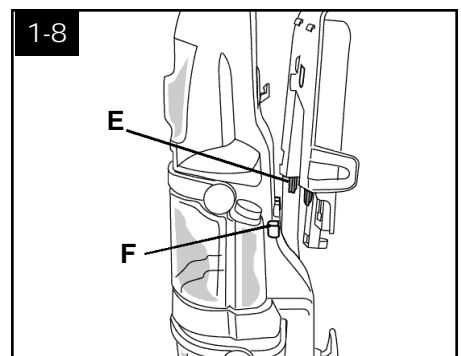


### Attach hose/cord hook

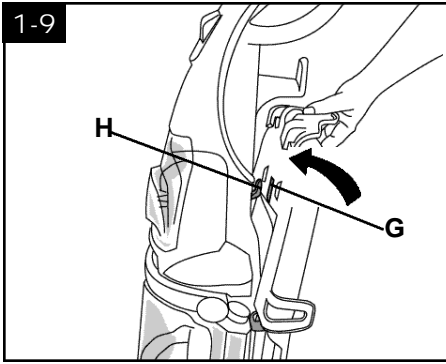
Insert tabs on hook into slots on back of cleaner. Snap hook onto cleaner.

### Attach hose/tool caddy

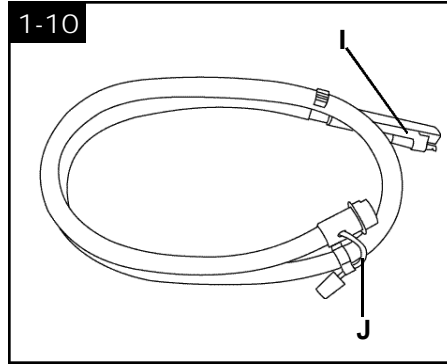
The hose/tool caddy is designed to be used either on the cleaner for easy access to the tools and hose, or if the tools are not going to be used, it can be removed and hung for storage. If you do not want to attach the caddy to the cleaner at this time, proceed to Fig. 1-10 for proper hose placement on the caddy.



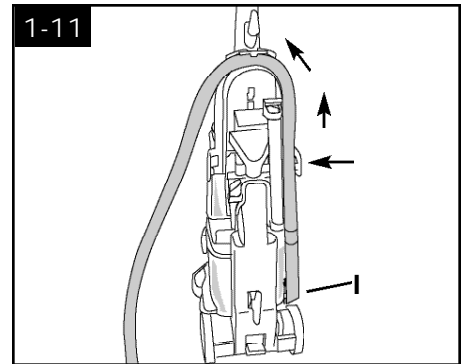
Slide tabs (E) on caddy into slots (F) on back of cleaner.



Rotate top of caddy toward cleaner handle. Slide caddy down so notch (G) on caddy rests in hook (H) on cleaner.

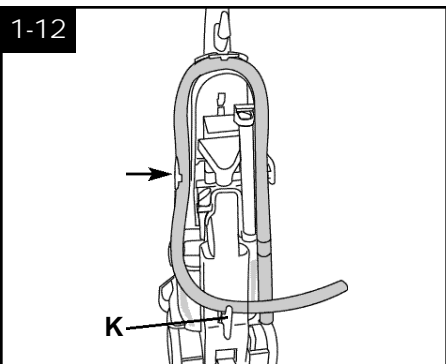


Identify the hose parts before storing hose.  
I. Nozzle connector end  
J. Solution tube

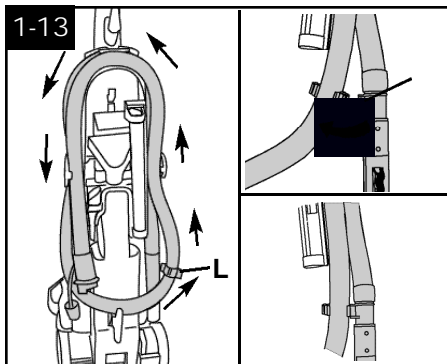


### Storing hose and tools

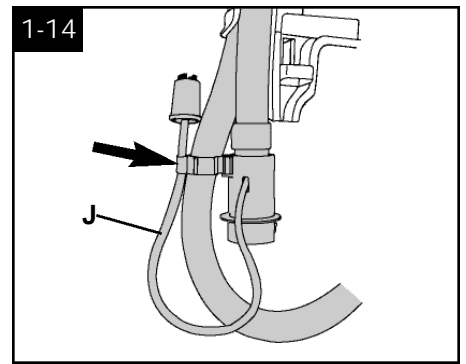
Press hose, a few inches from nozzle connector end (I), into caddy. Bring hose up and over top of caddy.



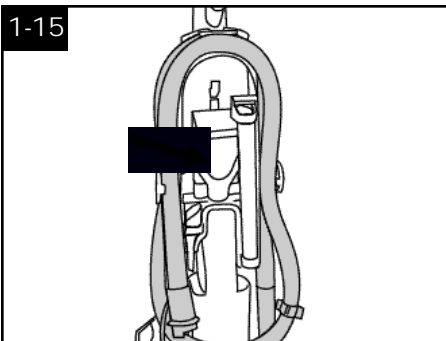
Press hose into opposite side of caddy. Loop hose at bottom of cleaner and press into top of hook (K).



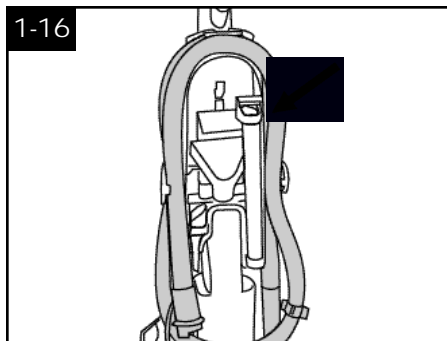
Loop hose over top of caddy again. Slide hose clip (L) toward end of hose. Snap tab (M) on hose connector into hose clip.



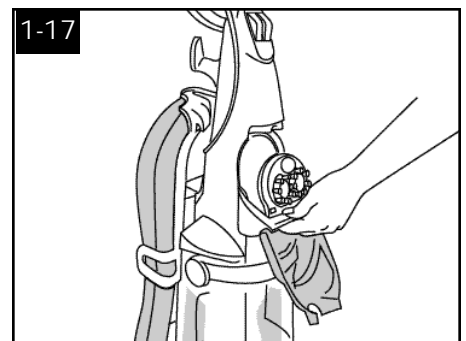
Repeat on other end of hose. Press solution tube (J) into opposite side of clip.



Snap stair/upholstery nozzle onto caddy.



Insert top of bare floor tool (available at additional cost if not included with your cleaner) through "loop" on caddy. Slide tool down into place.

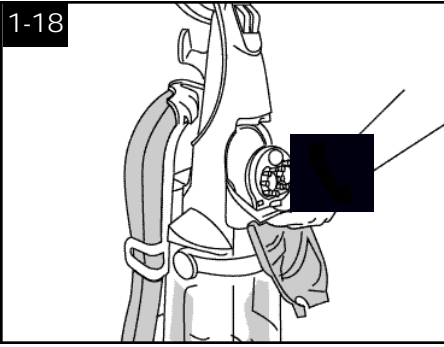


### SpinScrub™ hand tool

(not included with all models)

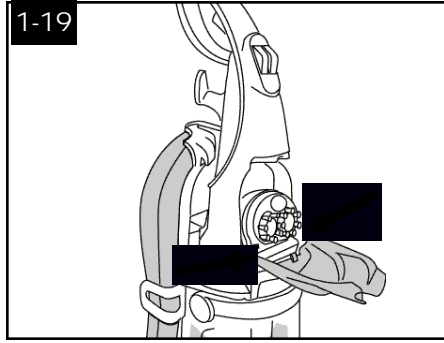
The SpinScrub™ hand tool is shipped in a plastic bag for protection. To remove the bag before using the tool, open tool door.

1-18



Pull tool down and outward.  
To reposition the tool, reverse this procedure.

1-19



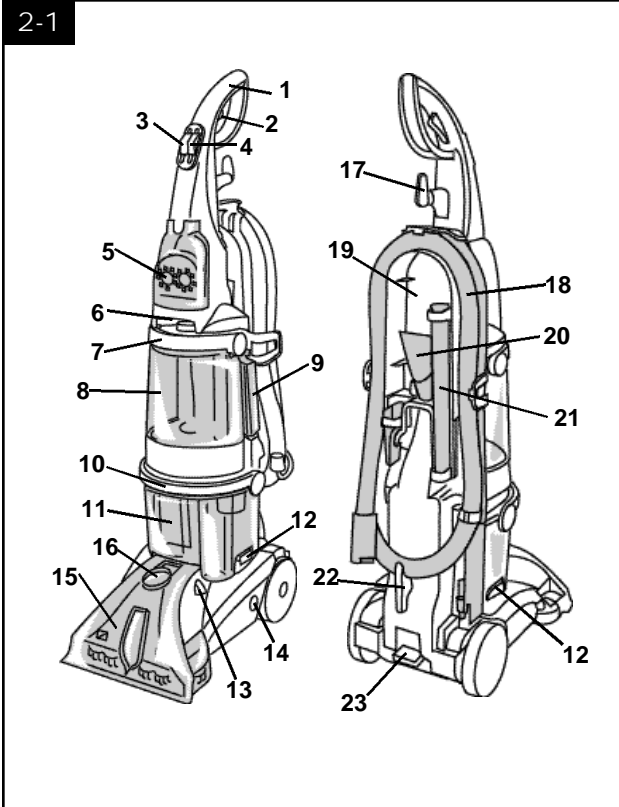
### How to reattach tool cover

The tool cover is designed with a break-away feature which allows it to snap free if it is pushed open too far.

To reattach, align hinges of cover with holes on sides of tool storage area.  
Snap door into place.

## 2. How to use

### Deep Cleaner Description

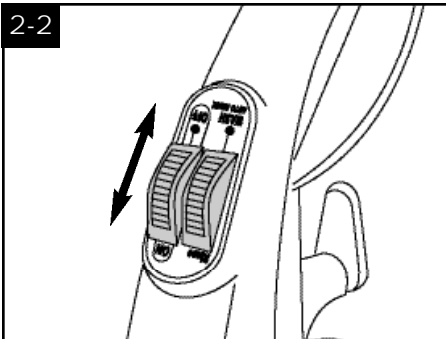


The assembled deep cleaner will look like the drawing. Model with SpinScrub™ hand tool is shown.

1. **Hand grip**
2. **Solution trigger:** press to release cleaning solution
3. **ON/OFF switch**
4. **Rinse Setting switch**
5. **SpinScrub™ hand tool** (not included with all models)
6. **Carrying handle**
7. **Clean water tank handle**
8. **Clean water tank**
9. **Detergent container**
10. **Recovery tank handle**
11. **Recovery tank:** holds dirty solution
12. **Recovery tank latches**
13. **Brush setting selector**
14. **Solution tube connection port**
15. **Nozzle**
16. **Hose connection port**
17. **Cord hook:** rotates for quick cord release
18. **Hose**
19. **Hose/tool caddy**
20. **Stair/upholstery nozzle**
21. **Bare floor tool** (available at additional cost if not included with your cleaner)
22. **Cord/hose hook**
23. **Handle release pedal**

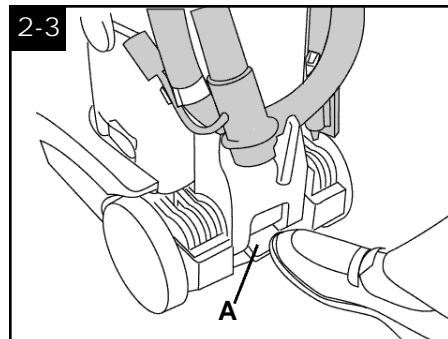
This deep cleaner is intended for household use.

Operate deep cleaner only at voltage specified on data plate on back of cleaner. Plug deep cleaner into a properly grounded outlet.



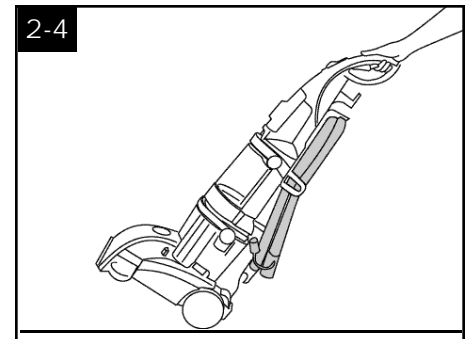
#### ON/OFF switch

To turn cleaner ON, push switch down.  
To turn cleaner OFF, push switch up.



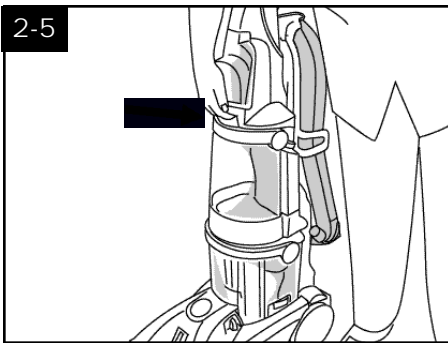
#### Handle release pedal

Step on pedal (A) to lower handle to operating position. Handle does not lock into a single position but “floats” to allow convenient operation.



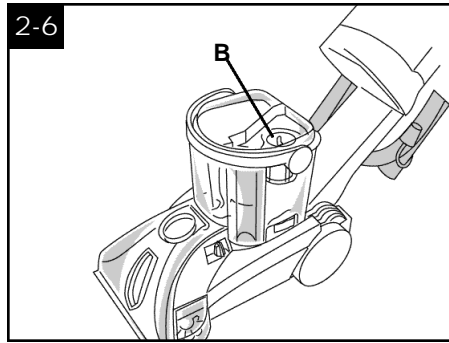
#### To transport

To move your deep cleaner from room to room, put handle in upright and locked position, tilt deep cleaner back on wheels and push forward.



### Carrying handle

The deep cleaner may also be lifted by placing a hand above the upper clean solution tank handle as shown.



### Automatic shut off

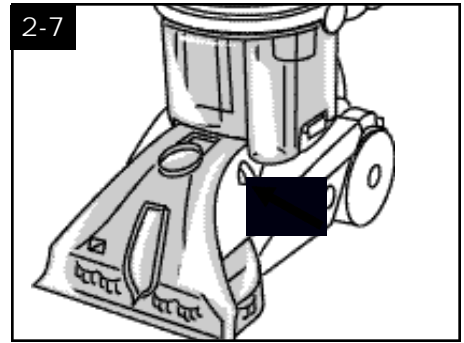
When the recovery tank (lower tank) is full the automatic shutoff mechanism will shut off the deep cleaner suction (**suction will be noticeably reduced**).

At that time, the yellow float disk will rise to the top of the recovery tank lid (B). The deep cleaner will no longer pick up dirty solution and the **motor sound will become noticeably higher in pitch**.

**When this happens, turn deep cleaner off and empty recovery tank** before continuing use.

Check clean water tank also; it may need to be refilled.

**Do not use without float and float retainer in place. If broken or dislodged, take to an Authorized Hoover Service Center or Dealer for repair.**



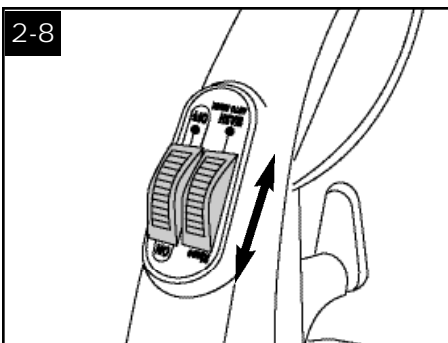
### Brush setting selector

Your 'SteamVac' deep cleaner has two agitator brush settings.

**ON** - for cleaning of carpet and bare floors

**OFF** - for cleaning carpets and bare floors when brushing is not desired.

Slide selector button to the desired setting before cleaning.



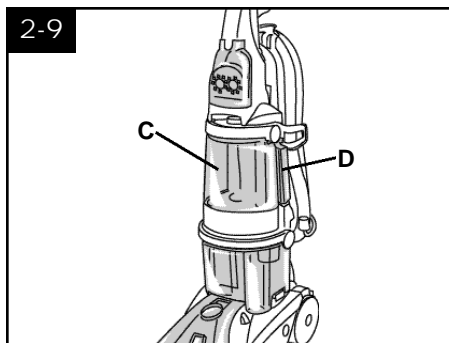
### Rinse Setting switch

Use this switch to select a wash with rinse setting or a rinse only setting.

**WASH-AutoRinse** - This setting cleans your carpet with detergent and water on the forward stroke. On the reverse stroke, a water-only rinse is applied automatically.

**RINSE** - This setting applies water-only rinse in both the forward and reverse strokes.

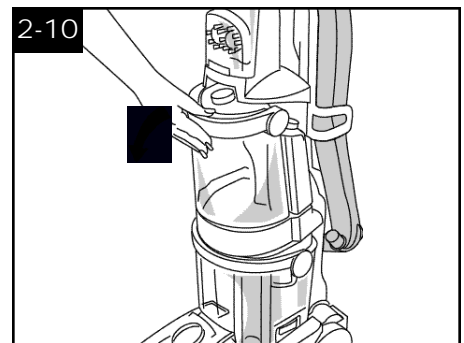
See "How to clean" section for more details.



### The tanks Clean water tank (upper tank)

The clean water tank (C) holds the water that will either be mixed with detergent for cleaning the carpet or floor, or used to rinse the carpet or floor.

The detergent container (D) is permanently attached to the water tank. It holds the detergent that mixes with the water.



### How to fill

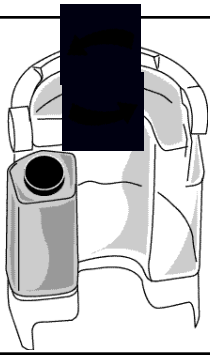
**Unplug deep cleaner from electrical outlet.**

Place deep cleaner handle in the upright, locked position.

To remove tank, press down on tank handle and pull forward.

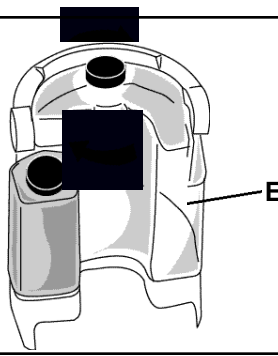


2-11



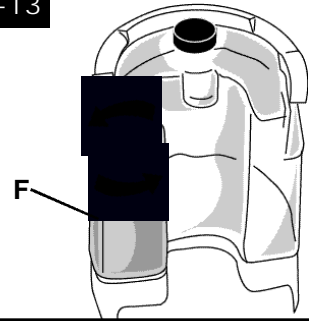
Carry tank to a sink.  
Turn tank cap counterclockwise and remove cap.

2-12



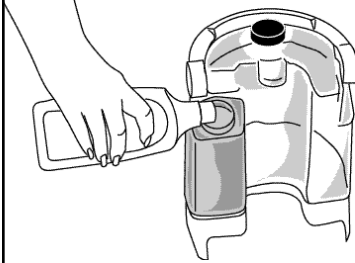
Fill tank (E) (1 gallon) with hot tap water.  
**Replace tank cap and tighten.**

2-13



**To fill detergent container (F),** turn cap counterclockwise and remove cap.

2-14

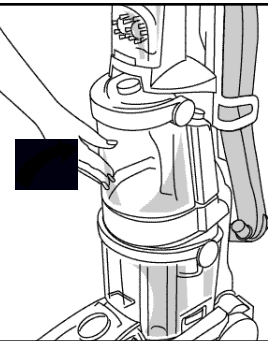


Fill container (16 oz.) with HOOVER Carpet/Upholstery Detergent or HOOVER Bare Floor Cleaner.  
Do not use Bare Floor Cleaner on carpet or upholstery. **Do not use any type of wax with your 'SteamVac' deep cleaner.**  
To assure proper results, **use only HOOVER detergent.**  
Replace container cap and tighten.

**NOTE: Use only HOOVER detergents.** They are specially formulated for use with your 'SteamVac' deep cleaner.

**CAUTION: Detergents contain Anionic and Nonionic Surfactants. Avoid contact with eyes and skin. In case of contact with eyes, flush with cold water for 15 minutes. In case of contact with skin, wash with water. If irritation persists, call a physician. For Medical Information (U.S.) call 1-800-752-7869.**

2-15



Position bottom of tank onto cleaner and pivot tank to snap it into place.

## Recovery tank

(lower tank)

The recovery tank holds the dirty solution that is picked up from the surface being cleaned.

When the recovery tank is full, the automatic shut-off will engage, suction will stop (see page 7), and the tank must be emptied.

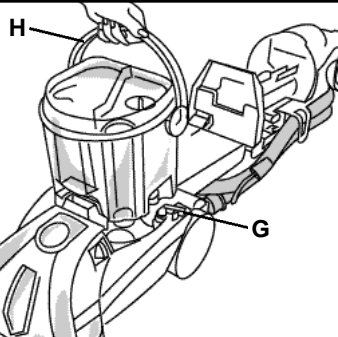
### How to empty

**Turn deep cleaner off and unplug from electrical outlet.**

To prevent possible leaking, remove clean water tank (Fig. 2-10) by pressing down on tank handle and pulling forward; set tank aside (**do not set tank on furniture**).

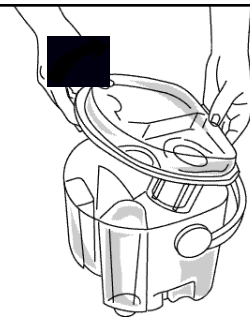
Step on handle release pedal (Fig. 2-3) and lower handle until it rests on the floor.

2-16



Turn recovery tank latches (G) outward (one on each side of tank).  
Raise handle (H) straight up and lift tank off cleaner.  
Carry tank to sink or drain.

2-17



Lower handle toward back of tank to unlock lid. Lift lid off tank. Empty tank and reposition lid. **For full suction, it is important that the recovery tank lid is properly secured before cleaning.**

Raise tank handle to carrying position and place it onto deep cleaner. Lower handle to front of tank.

Turn latches (one on each side of tank) inward to lock tank in place.

Raise handle of deep cleaner to upright position and reposition upper clean water tank.

Continued → 9

## 3. How to clean

### Before you begin cleaning

**a. Vacuum thoroughly** - For carpet, use a HOOVER vacuum cleaner with an agitator for best results. Vacuum upholstery with a vacuum cleaner with cleaning tool attachments. Use a crevice tool to reach into tufts and folds. **Do not use the 'SteamVac' deep cleaner as a dry vacuum cleaner.**

**b. For upholstery, check cleaning code** - Use your HOOVER 'SteamVac' deep cleaner only if the upholstery fabric is marked with a "W" (for "wet" clean) or "S/W" (for "solvent/dry" or "wet" clean). **Do not clean fabric marked "S" ("solvent/dry" clean only).** If your upholstery does not have a code, seek professional assistance.

**c. Test for colorfastness** - Wet a white absorbent cloth with the detergent. In a small, hidden area, gently rub the surface with the dampened cloth. Wait ten minutes and check for color removal or bleed with white paper towel or cloth. If surface has more than one color, check all colors.

**d. When cleaning entire floor, move furniture out of area to be cleaned** (may not be necessary if only high traffic areas are to be cleaned). For furniture too heavy to move, place aluminum foil or wax paper under legs. This will prevent wood finishes from staining carpet. Pin up furniture skirts and draperies.

**e. Pretreat spots and heavy traffic areas with HOOVER® PreCleaner\*** - Test PreCleaner for colorfastness by first spraying it on a hidden area; wait ten minutes and blot with white paper towels or cloth. If no color change is visible, spray PreCleaner onto spots and traffic areas. Wait at least ten minutes. Use your 'SteamVac' deep cleaner to pick up PreCleaner and spot. Repeat until spot is removed; carefully scrub with a household scrub brush if necessary.

**Do not saturate** carpet or upholstery with PreCleaner.

No cleaning solution removes all stains from all carpets. Stain removal varies with the type of spill, time elapsed before removal, carpet material, and carpet type.

**f. To prevent staining**, use plastic or aluminum foil to protect wood or metal surfaces from possible water spray.

**g. To avoid wetting and possible damage to wood floors underneath area rugs/carpet**, either move area rugs/ carpet to a non-wood bare floor surface or place waterproof material (e.g. plastic) underneath them before cleaning.

See pages 10-14 for instructions on various cleaning tasks.

\*Available at additional cost if not included with your model.

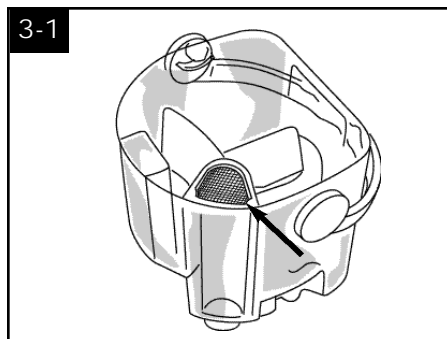
### After cleaning

**a.** Allow carpet or upholstery to dry. To help prevent matting and resoiling the carpet, keep children and pets away from surface until it is **completely dry**. **If it is necessary to walk on damp** carpet, place towels or white cloths on the traffic areas.

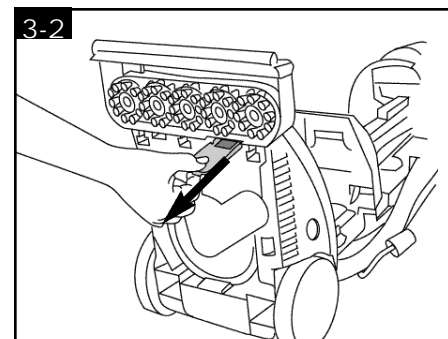
If furniture must be replaced before the carpet is dry, place plastic or aluminum foil under legs of furniture so metal slides or wood finishes will not stain the carpet.

**b.** Empty tanks, rinse with clear water and let air dry. Rinse the recovery tank lid and let air dry.

Any unused detergent may be left in the detergent container for future use.



**c.** Remove lint from filter screen located inside recovery tank.



**d.** Remove lint from filter screen located on bottom of cleaner as follows.  
**Note: When brushes seem to be rotating slowly, disconnect deep cleaner from electrical outlet and check and clean this screen.**

Remove both tanks as described in Fig. 2-16. Tilt cleaner back so handle rests on floor.

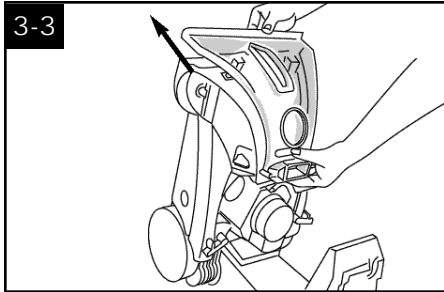
Squeeze filter frame, lift and pull it out. Wipe off screen and push frame back into place.

Return cleaner to upright position.

**e.** If desired, vacuum thoroughly after carpet has completely dried. This will help reduce any shading left by the deep cleaner's brushes.

## To clean nozzle

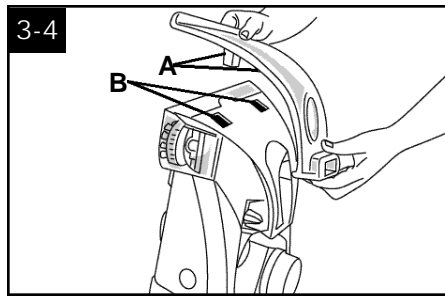
If lint or other debris becomes lodged in nozzle, it can be removed for cleaning.



### Unplug deep cleaner from electrical outlet.

Remove both tanks as described in Fig. 2-16. With handle in upright position, tilt cleaner back so that handle rests on the floor.

Lift up rear edge of nozzle. Slide nozzle up and remove from cleaner.



To replace nozzle, line up tabs (A) on nozzle with holes (B) in cleaner. Slide tabs into holes.

Slide nozzle completely onto cleaner. Press down on nozzle to secure it.

Replace recovery tank (Fig. 2-17).

**The nozzle must be in the proper position in order for the recovery tank to go on properly.**

Raise cleaner to upright position and replace clean water tank (Fig. 2-15).

## Carpet Cleaning

### Read "Before you begin cleaning" instructions on page 9.

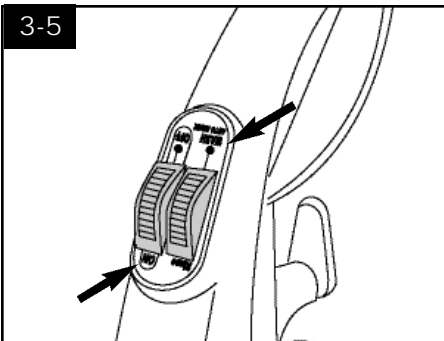
1. Fill clean water tank according to instructions for Figs. 2-9 to 2-12.
2. Fill detergent container with HOOVER Carpet/Upholstery Detergent according to instructions for Figs. 2-13 to 2-15.
3. Turn brushes ON or OFF as desired.
4. Dry hands and plug cord into a **properly grounded outlet**.

### Do not clean over floor electrical outlets.

5. To avoid walking on damp carpet, start at the end of the room farthest from the door or path to sink where tanks will be emptied and filled.

Step on handle release pedal and lower handle to operating position.

6. Set Rinse Setting switch to **WASH-AutoRinse**. Turn cleaner ON (Fig. 3-5).

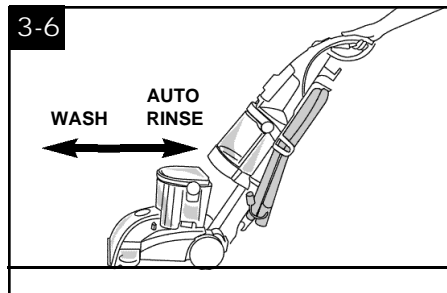


7. Squeeze trigger to release cleaning solution and **slowly** push deep cleaner forward (equals one wet stroke).

8. Continue to squeeze trigger and **slowly** pull deep cleaner back toward

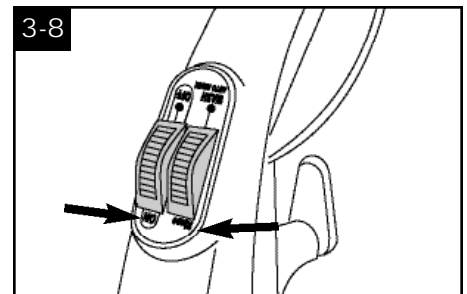
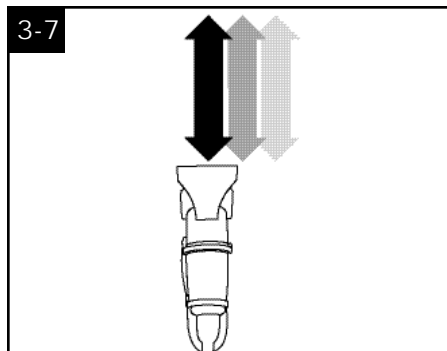
you (second wet stroke). The deep cleaner rinses the carpet on the backward pass. **Note: To assure proper rinsing, it is important to keep the deep cleaner on the same path backward as forward.**

9. Release trigger and slowly push deep cleaner forward over area just sprayed with solution (dry stroke). Then **slowly** pull deep cleaner back toward you without squeezing trigger (dry stroke). Continue using dry strokes until little water is visible passing through the recovery tank lid.



10. For best results, use straight, parallel strokes as shown in the diagram below. Overlap strokes by 1 inch to help prevent streaking.

Keep nozzle flat on floor for both forward and reverse strokes.



11. If you would like to rinse the carpet with water only, set Rinse Setting switch to **RINSE** (Fig. 3-8). Repeat steps 7-9. In this setting, rinsing will be done on both forward and reverse strokes.

Rinsing is not necessary, but will help remove detergent residue and help your carpet look fresher.

12. For heavily soiled areas, repeat steps 6-9. Avoid saturating carpet, as noted below.

**Note: To avoid saturating carpet, do not use more than 4 wet strokes over one area. Always end with dry strokes.**

It is best to alternate wet and dry strokes as described above.

For best cleaning results and to aid in faster drying of carpet, end with more dry strokes. (Continue using dry strokes until little water is visible passing through the recovery tank lid.)

13. Empty recovery tank when the motor sound becomes higher pitched and there is a loss in suction (see "Automatic shut-off", Fig. 2-6).

When finished cleaning, follow "After cleaning" instructions on pages 9 & 10.

## Cleaning bare floors

### How to attach bare floor attachment

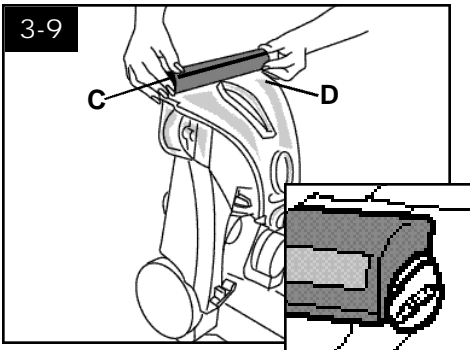
(Available at additional cost if not included with your cleaner.)

#### Unplug deep cleaner from electrical outlet.

To prevent possible leaking, remove clean water tank (Fig. 2-10) and recovery tank (Fig. 2-16) before positioning bare floor attachment.

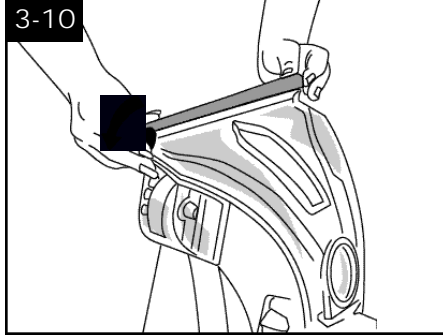
Set tanks aside (do not set tank on furniture).

1. With handle in upright position, tilt cleaner back so that handle rests on the floor.



2. With foam strip (C) (located under the netting) in position as shown, place attachment on front of nozzle (D).

Make sure arrow on end of attachment points in the direction as shown.



3. Push attachment against nozzle while rotating attachment downward until both ends snap into place.

**(Note: Some force may be required to rotate and snap attachment into place.)**

4. Return deep cleaner to upright position. Lower handle and replace recovery tank.

5. Raise handle to upright position and reposition clean water tank.

### To clean floor

Read “Before you begin cleaning” instructions on page 9.

**Do not use the deep cleaner on hardwood floors.**

1. Fill clean water tank according to instructions for Figs. 2-9 to 2-15.

2. Fill detergent container with HOOVER Bare Floor Cleaner according to instructions for Figs. 2-13 to 2-15.

3. Turn brushes ON for scrubbing or OFF if scrubbing is not desired.

4. Dry hands and **plug deep cleaner into a properly grounded outlet.**

5. Step on handle release pedal and lower handle to operating position.

6. Set Rinse Setting switch to **WASH-AutoRinse**. Turn cleaner ON.

7. To release solution, press trigger. Slowly move deep cleaner forward and backward over area to be cleaned. Water and detergent will be released on the forward stroke. A water-only rinse will automatically be released on the reverse stroke.

8. To pick up dirty solution, release trigger and slowly move deep cleaner over area where solution has just been dispersed. Use both forward and reverse strokes.

9. If rinsing the floor is desired, set Rinse Setting switch to **RINSE**. Repeat steps 7 & 8. This setting provides a water-only rins in both the forward and reverse strokes.

Rinsing is not necessary, but will help remove detergent residue from the floor.

10. Empty recovery tank when the motor sound becomes higher pitched and there is a loss in suction (see “Automatic shut-off”, Fig. 2-6).

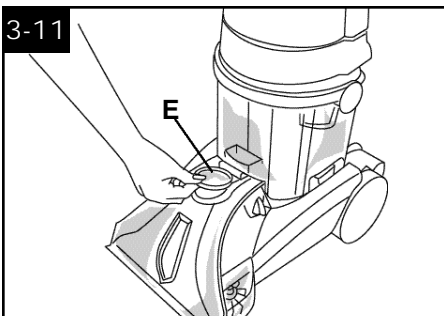
11. When finished cleaning, follow “After cleaning” instructions on pages 9 & 10.

**Unplug deep cleaner from electrical outlet** and remove attachment from nozzle. Rinse it in clear water. **Do not remove plastic screen or foam from attachment.**

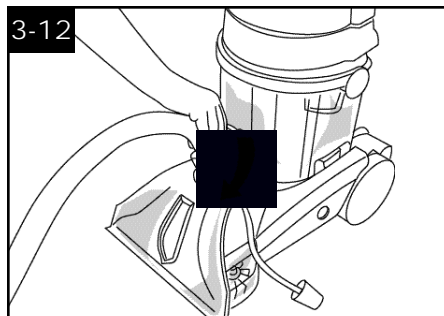
## Using the tools

### Attach hose

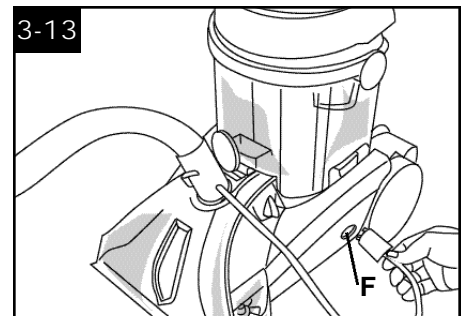
Unplug cleaner from electrical outlet.



Open hose connection port (E).



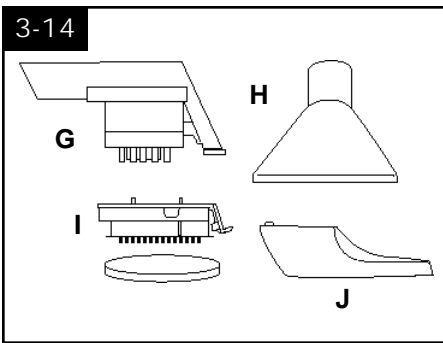
Insert short hose end, matching tabs on hose with same-sized slots in port.



Plug solution tube firmly into solution connection port (F).

## Select tool

Your model includes some combination of the following tools, but **may not include them all**.



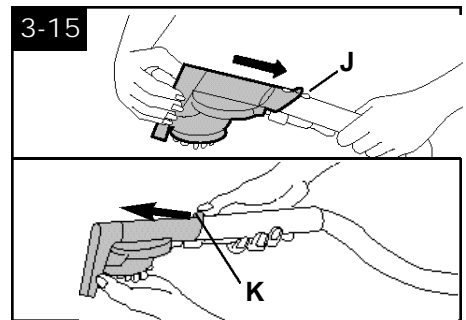
**G. SpinScrub™ hand tool** has rotating brushes for extra scrubbing action on small carpet areas, carpeted stairs and upholstery. For some models, the brushes can be removed for converting to the scrub module.

**H. Stair/upholstery nozzle** has a built-in brush to help provide the scrubbing action some spots may need for removal.

**I. Scrub module with detachable scrub pad** attaches to the base of the SpinScrub™ hand tool (in place of brush module). Can be used to scrub stubborn areas such as scuff marks, dried spills, and in hard to reach areas on hard surfaces.

**J. Crevice tool** can be used to clean along edges of carpet, carpeted stairs and on upholstery.

## How to attach tools



### Unplug deep cleaner from electrical outlet.

1. Place handle in upright position and remove hose from rack.

All tools attach to the hose in the same manner:

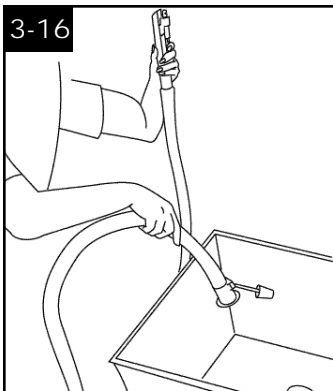
2. Connect tool to hose by sliding it onto connector until the tab (J) locks it securely.

Using your thumb, **push forward and up** on the **latch (K)** to remove tool.

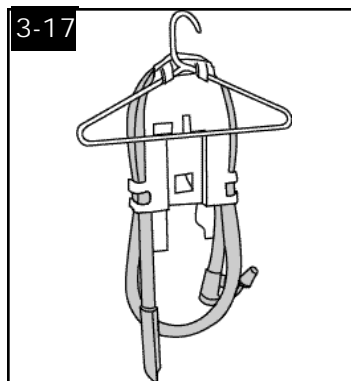
## After using tool

Drain suction hose by turning deep cleaner ON and holding nozzle up for several minutes. **Do not press trigger.** **Unplug deep cleaner from electrical outlet.**

**Disconnect hose and solution tube from deep cleaner.**

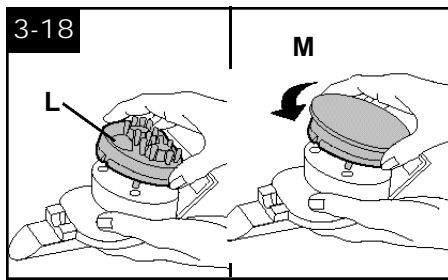


Drain solution tube by placing round end in sink and raising nozzle above your head. Press the trigger.



The tool caddy can be removed and hung on a coat hanger for storage.

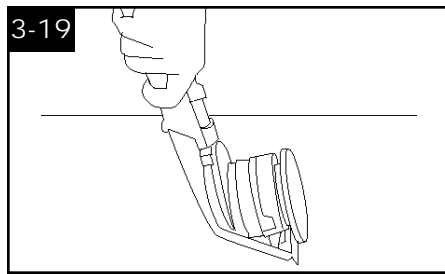
## Attaching scrub module



Available at additional cost if not included with your cleaner.

1. Open the tool door and remove the SpinScrub™ hand tool.
2. Grasp the sides of the brush module and lift it from the base (L).
3. Snap scrub module onto the base.

**Note:** If may be necessary to rotate the scrub module (M) slightly so it will align properly to the base.



## Using the scrub tool

**With a little solution, test the scrub tool on a hidden area before using on the desired surface. If no surface change is visible, continue to use as described below.**

1. Attach hose and solution tube as instructed in Figs. 3-11 to 3-13.
2. Place handle in upright position.
3. Fill clean water tank according to instructions for Figs. 2-9 to 2-12.
4. Fill detergent container with HOOVER Bare Floor Cleaner according to instructions for Figs. 2-13 to 2-15.
5. Attach tool to end of hose.
6. Hold scrub tool above area to be cleaned and press trigger to dispense solution.
7. Release trigger and scrub area with tool. Pick up dirty solution with squeegee as shown.

## After using scrub tool

**To clean scrub pad,** pull it off module. Wash it in water with mild detergent. Rinse and let air dry. Pad must be completely dry before reattaching to module.

Replacement pads may also be purchased. Ask for **HOOVER part no. 40308001.**

## Cleaning carpeted stairs

**Read "Before you begin cleaning" instructions on page 9.**

1. Attach hose and solution tube as instructed in Figs. 3-11 to 3-13.
2. Place handle in upright position. **Agitator brushes will not rotate while handle is in upright position.**
3. Fill clean water tank according to instructions for Figs. 2-9 to 2-12.
4. Fill detergent container with HOOVER Carpet/Upholstery Detergent according to instructions for Figs. 2-13 to 2-15.
5. Attach tool to end of hose.
6. Hose length may require that machine be placed at the top of the stairs to clean upper half of stairway and at bottom of stairs to clean lower half.

**To prevent machine from falling, use extra caution when cleaning on stairs.**

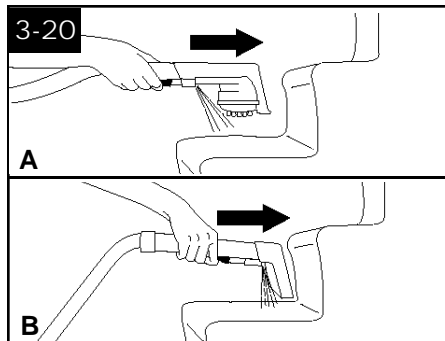
**Do not place deep cleaner on stairs.**

**Do not point tools toward people or pets.**

7. Dry hands and plug deep cleaner into a **properly grounded outlet.**

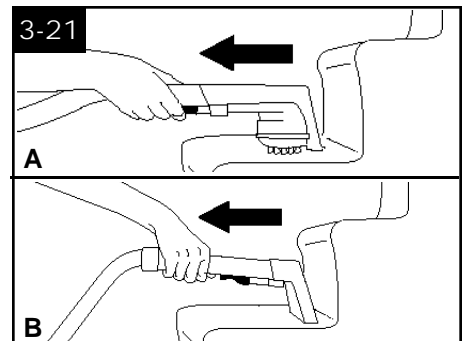
8. Set Rinse Setting switch to **WASH-AutoRinse.** Turn cleaner ON.

**Note:** "Auto-rinse" and rinse are not available during tool use. The hose will only dispense water mixed with detergent.



9. Pre-spray the carpeted stair by holding the tool (A) or (B) about one inch above the carpet and push it forward while pressing the trigger (equals one wet stroke).

10. Position tool against the riser and slightly press it into carpet pile. Press the trigger and pull the tool **slowly** over the carpet (second wet stroke). Release trigger at end of stroke.



11. Lift tool, and position it against riser. Pull tool **slowly** over carpet without pressing trigger (dry stroke).

12. Overlap strokes by 1/2 inch to help prevent streaking.

It is best to alternate wet and dry strokes as described above. End with more dry strokes to aid in faster drying of carpet.

**To avoid saturating carpet, do not use more than 4 wet strokes over any one area. Always end with dry strokes.**

If additional cleaning is necessary, wait until the carpet is completely dry before using the tool again.

13. Empty recovery tank when the motor sound becomes higher pitched and there is a loss in suction (see "Automatic shut-off", Fig. 2-6).

When finished cleaning, follow "After cleaning" instructions on pages 9 & 10 and "After using tool" instructions on page 13.

## Cleaning upholstery

Read “Before you begin cleaning” instructions on page 9.

Be sure to check the cleaning code on your upholstery. Use your deep cleaner only on upholstery marked “W” or “W/S”.

1. Attach hose and solution tube as instructed in Figs. 3-11 to 3-13.
2. Place handle in upright position.

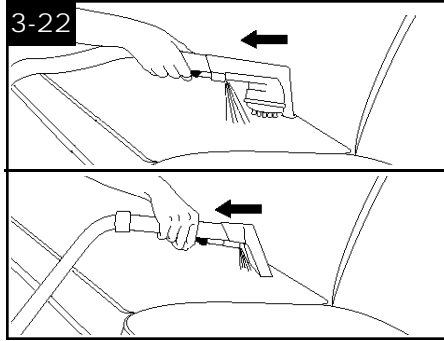
**Agitator brushes will not rotate while handle is in upright position.**

3. Fill clean water tank according to instructions for Figs. 2-9 to 2-12.
4. Fill detergent container with HOOVER Carpet/Upholstery Detergent according to instructions for Figs. 2-13 to 2-15.
5. Attach tool to end of hose.

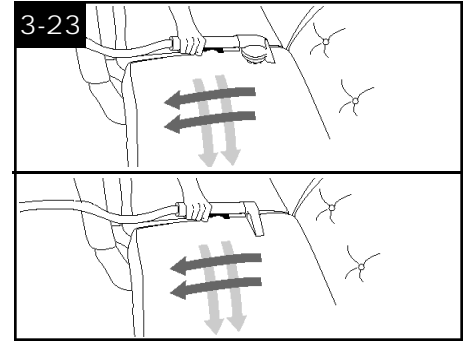
**Do not point tools toward people or pets.**

6. Dry hands and plug deep cleaner into a **properly grounded outlet**.
7. Set Rinse Setting switch to **WASH-AutoRinse**. Turn cleaner ON.

**Note:** “Auto-rinse” and rinse are not available during tool use. The hose will only dispense water mixed with detergent.



8. Gently press the tool onto the fabric. Press the trigger and slowly pull the nozzle over the fabric.
9. Overlap strokes by 1/2 inch to help prevent streaking. Make additional strokes without pressing the trigger to remove more moisture.
10. To clean in corners or creases, lift the tool one-half inch from the fabric and press the solution trigger.
11. Vacuum up the solution with the tool without pressing the trigger.
12. For heavily soiled areas, it may be necessary to repeat the cleaning process. Make crisscrossing strokes to the original pattern; overlap each pass (Fig. 3-23).



**Make no more than 2 passes with the solution or rinse over any one area to prevent over-wetting and damage to fabric.**

If additional cleaning is necessary, wait until the upholstery is completely dry before using the tool again.

13. Empty recovery tank when the motor sound becomes higher pitched and there is a loss in suction (see “Automatic shut-off”, Fig. 2-6).

When finished cleaning, follow “After cleaning” instructions on pages 9 & 10 and “After using tool” instructions on page 12.

## 4. Maintenance

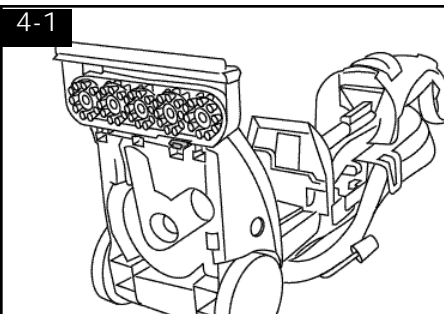
### Removable brushes

Your deep cleaner is equipped with removable brushes for easy cleaning.

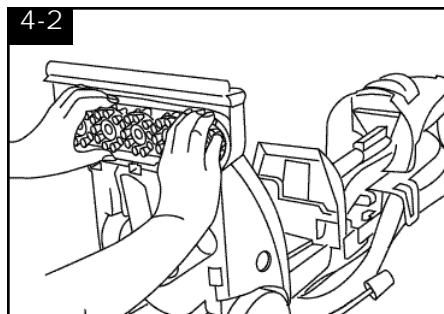
#### To remove brushes

**Disconnect cleaner from electrical outlet.**

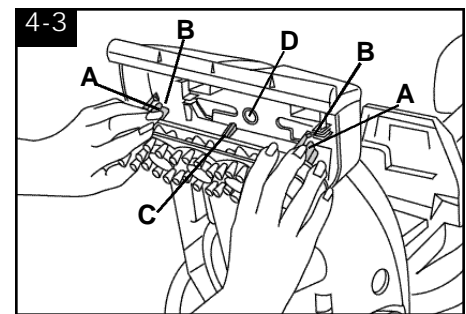
To prevent possible leaking, remove clean water tank and recovery tank. Set tanks aside.



With handle in upright position, tilt cleaner back until handle rests on the floor.



Grab brush assembly and pull firmly. The brushes can be cleaned under running water.



#### To replace brushes

Align posts (A) on both ends of brush assembly with slots (B) in cleaner housing.

Make sure that the square post (C) also aligns with the square hole (D). Turn brushes slightly until post fits easily into hole.

Press brush assembly firmly to snap into place.

## Storage

Before storing:

- Empty clean water tank and let air dry. Replace on deep cleaner.
- Unused detergent can be stored in the detergent container.
- Empty recovery tank, rinse tank and lid thoroughly with clean water and let air dry.

**Allow brushes and underside of deep cleaner to air dry thoroughly before storing deep cleaner on a carpeted or wood surface.**

**Do not store deep cleaner with a full clean water tank in place.**

## Lubrication

The motor is equipped with bearings which contain sufficient lubrication for the life of the motor. The addition of lubricant could cause damage. **Do not add lubricant to motor bearings.**

## 5. If you have a problem

If a minor problem occurs, it usually can be solved quite easily when the cause is found by using the check list below.

### Problem: Machine won't run

#### Possible cause

Possible solution

- **Not firmly plugged in**
- Plug unit in firmly
- **No voltage in wall receptacle**
- Check fuse or breaker
- **Blown fuse/tripped breaker**
- Replace fuse/reset breaker

### Problem: Low solution pick-up

#### Possible cause

Possible solution

- **Recovery tank full/automatic shut off engaged**
- Remove and empty recovery tank
- **Blockage in tool on end of hose**
- Remove tool and clear blockage
- **Recovery tank lid not on correctly**
- Make sure lid is on securely
- **Water tank empty, but detergent remains**
- Fill water tank

### Problem: Clean solution won't dispense

#### Possible cause

Possible solution

- **Clean water tank not firmly in place**
- Make sure tank is securely locked in position
- **Clean water tank or detergent container empty**
- Refill container according to instructions for surface being cleaned
- **Recovery tank lid not on correctly**
- Make sure lid is firmly in place

### Problem: Brushes won't rotate during floor cleaning

#### Possible cause

Possible solution

- **Dirty filter screen on bottom of unit**
- Clean screen as shown in Fig. 3-2
- **Setting selector on OFF**
- Move setting selector to ON

## Service

To obtain approved HOOVER service and genuine HOOVER parts, locate the nearest **Hoover Factory Service Center or Authorized Hoover Warranty Service Dealer (Depot)** by:

- checking the Service section of The Hoover Company on-line at [www.hoover.com](http://www.hoover.com) OR
- checking the list of Factory Service Centers provided with this cleaner OR
- checking the Yellow Pages under "Vacuum Cleaners - Household" OR
- calling **1-800-944-9200** for an automated referral of authorized service outlet locations (U.S. only).

**Do not** send your cleaner to The Hoover Company in North Canton for service, this will only result in delay.

If further assistance is needed, contact The Hoover Company Consumer Response Center, North Canton, Ohio 44720 Phone: 330-499-9499.

In Canada, contact Hoover Canada, Burlington, Ontario L7R 4A8, Phone: 1-800-263-6376.

Always identify your cleaner by the **complete** model number when requesting information or ordering parts. (The model number appears on the bottom of the cleaner.)



## Full One Year Warranty (Domestic Use)

Your HOOVER® appliance is warranted in normal household use, in accordance with the Owner's Manual against original defects in material and workmanship for a period of one full year from date of purchase. This warranty provides, at no cost to you, all labor and parts to place this appliance in correct operating condition during the warranted period. This warranty applies when the appliance is purchased in the United States including its territories and possessions, or in Canada or from a U. S. Military Exchange.

Appliances purchased elsewhere are covered by a limited one year warranty which covers the cost of parts only. This warranty does not apply if the appliance is used in a commercial or rental application.

Warranty service can only be obtained by presenting the appliance to one of the following authorized warranty service outlets. Proof of purchase will be required before service is rendered.

1. Hoover Factory Service Centers.
2. Hoover Authorized Warranty Service Dealers (Depots).

**For an automated referral of authorized service outlets in the U.S.A., phone 1-800-944-9200 OR visit The Hoover Company on-line at [www.hoover.com](http://www.hoover.com)**


This warranty does not cover pick up delivery, or house calls; however, if you mail your appliance to a Hoover Factory Service Center for warranty service, transportation will be paid one way.

While this warranty gives you specific legal rights, you may also have other rights which vary from state to state.

If further assistance is needed, or if there are questions concerning this warranty or the availability of warranty service outlets, write or phone the Consumer Response Center, The Hoover Company, 101 East Maple St., North Canton, Ohio 44720, Phone 1-330-499-9499.

In Canada, contact Hoover Canada, Burlington, Ontario L7R 4A8, 1-800-263-6376.

HOOVER y  son marcas registradas

HOOVER et  sont des marques déposées

HOOVER and  are registered trademarks