

FIGURE 12.6.2.1(a) Clearance Reduction System — Fastener Location.

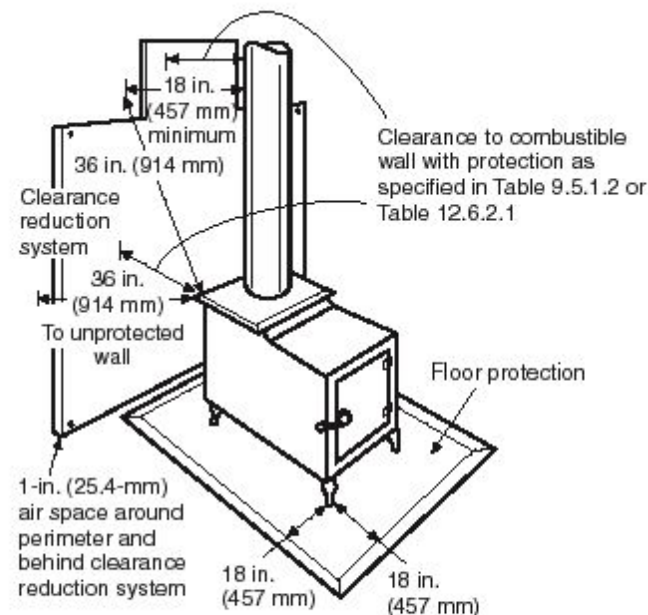


FIGURE 12.6.2.1(b) Distance to Combustible Wall/Floor.